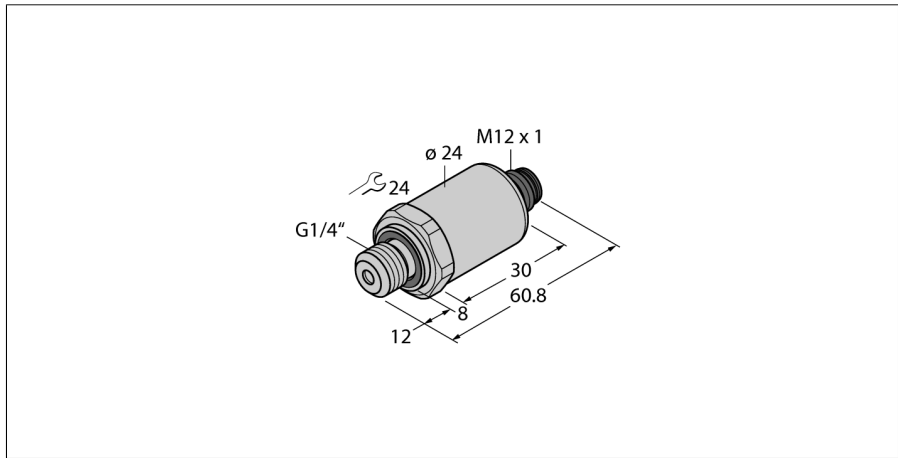
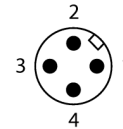
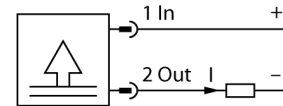


**Pressure Transmitter**  
**With Current Output (2-wire)**  
**PT250R-2004-I2-H1141**



- Completely welded measuring cell
- Compact and robust design
- Excellent EMC properties
- Pressure range 0...250 bar rel.

**Wiring Diagram**



|                                    |   |
|------------------------------------|---|
| <b>Type designation</b>            | PT250R-2004-I2-H1141  |
| Ident-No.                          | 6836597   |
| <b>Storage temperature</b>         | -50...+100 °C   |
| <b>Operating voltage</b>           | 7...33 VDC  |
| Short-circuit protection           | yes   |
| Output 1                           | Analog output   |
| Current output                     | 4...20 mA   |
| Protection class                   | III   |
| <b>Design</b>                      | Without display   |
| Housing material                   | Stainless-steel/Plastic, Stainless steel V4A (1.4404)/<br>Polyacrylamide 50% GF UL 94 V-0 |
| Max. tightening torque housing nut | 20 Nm   |
| Seal                               | FPM   |
| Electrical connection              | Connectors, M12 × 1   |
| Shock resistance                   | 100 g (11 ms)   |
| Protection class                   | IP67  |
| MTTF                               | 1189 years acc. to SN 29500 (Ed. 99) 40 °C  |
| Packaging unit                     | 1   |

**Functional principle**

The pressure sensors of the PT ...-2000 series operate with a fully welded metal measuring cell. Depending on the sensor type used, the processed signal is available as analog output of either 4...20 mA (2-wire) or 0...10 V (3-wire).